



FIDES

Electronic circuit technology

INDUSTRY 4.0 GREEN POWER TECHNOLOGY

FIDES-ZERO

IEC62301-Ed2 STANDBY POWER ZERO MODULE



FIDES

info@standbyzero.org

<http://www.standbyzero.com>

FIDES-ZERO

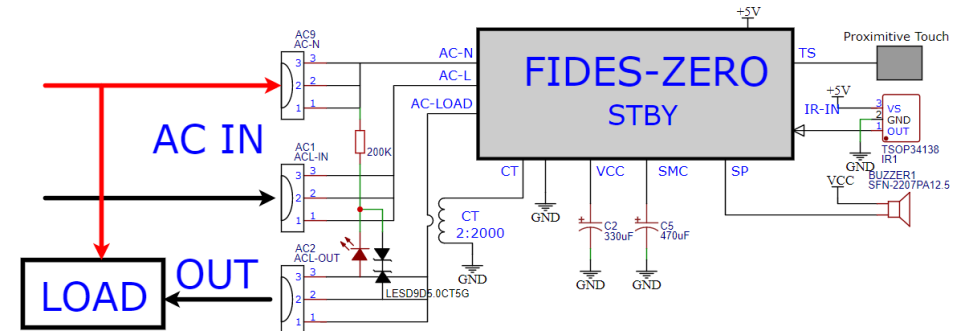
Features

This module is an All-IN-ONE AC power switch with zero standby power of IEC62301-2 and unique power consumption <50mW 220V @ 60Hz, (<20mW 110V @ 60Hz). Proximity touch switch, simple infrared control storage (10 memories), overload cutoff and minimum load 0.5W detection function are built into one module. Supports ESD of IEC61000-4-2 Standard LEVEL 4.

Usages

Electrical and electronic devices that require standby power and remote control, such as IoT electric switches, wall touch switches, standby power sockets, and microwave ovens.

Application Circuit



POWER CONSUMPTION :

110V/60HZ : <20mW
220V/60HZ : <50mW
지속 통과전력 10A
순간 통과전력 16A
자체 소비전력 <50mW@220V/60Hz
<20mW@110V/60Hz

외장부품

1. IR receiver EQUV : TSSP980, TSOP38538
2. Piezo Buzer
3. CT (1:2000)
4. AWG 17 wire (10cm)
5. 전해콘덴서 330uF/25V
6. 전해콘덴서 (470uF /10V)
7. Proximity Touch Wire(*별도자료)



Electrical characteristics

Operating Voltage	AC500V
Max current	10A 250VAC
AC contact	1A, 1B(AgSnO ₂)
Insulation resistance	1000MΩ (500VDC)
Contact resistance	Max: ≤ 20mΩ
Open withstand voltage	1KV
Over load detection	10A(over 3sec)
Standby load detection	0.5W(over 20sec)
DC output voltage	DC 5V 1mA
Mechanical life	1×10 ⁶



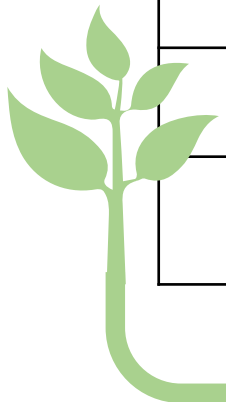
Product ratings are available upon request.
The basic product configuration is rated 7A,
and the 10A product is an order product.

PIN DESCRIPTION

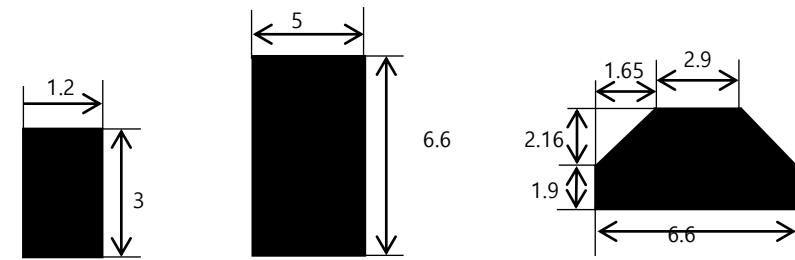
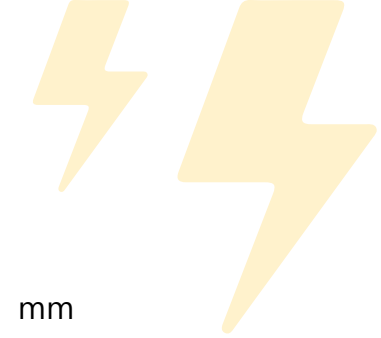
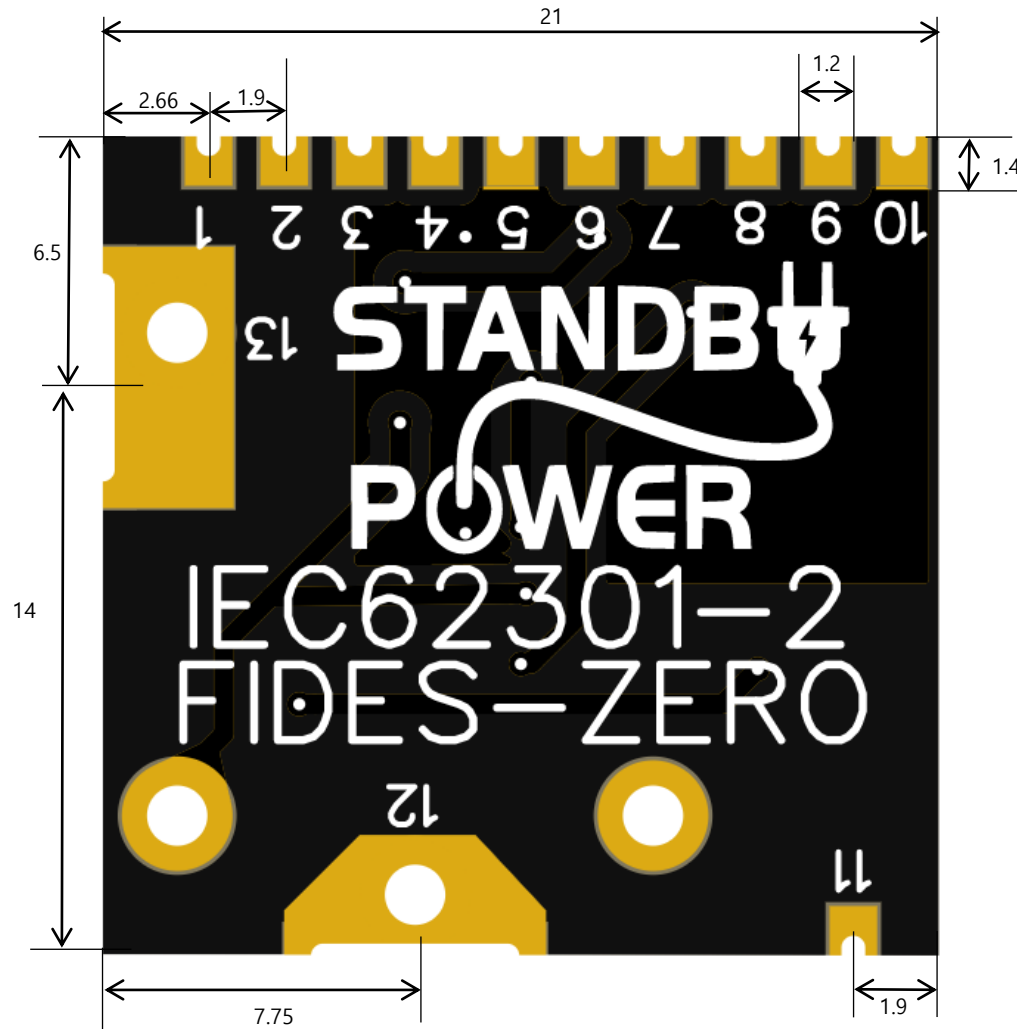


1. CT	CURRENT TRANSFORMER INPUT
2. IR-IN	IR-DATA INPUT
3. TS	TOUCH WIRE INPUT
4. SP	SPEAKER OUT
5. GND	GROUND
6. OFF	RELAY OFF
7. ON	RELAY OUT

8. SMC	SMOOTH FILTER CAP
9. VCC	VCC OUT 5V <0.5mA
11 GND	GROUND
12. AC-IN	AC NUTRAL INPUT AC 90 ~ 265V
13. ACL-OUT	AC LOAD OUT (MAX 7A)
14. ACL-IN	AC LINE INPUT AC 90 ~ 265V



Dimension outline



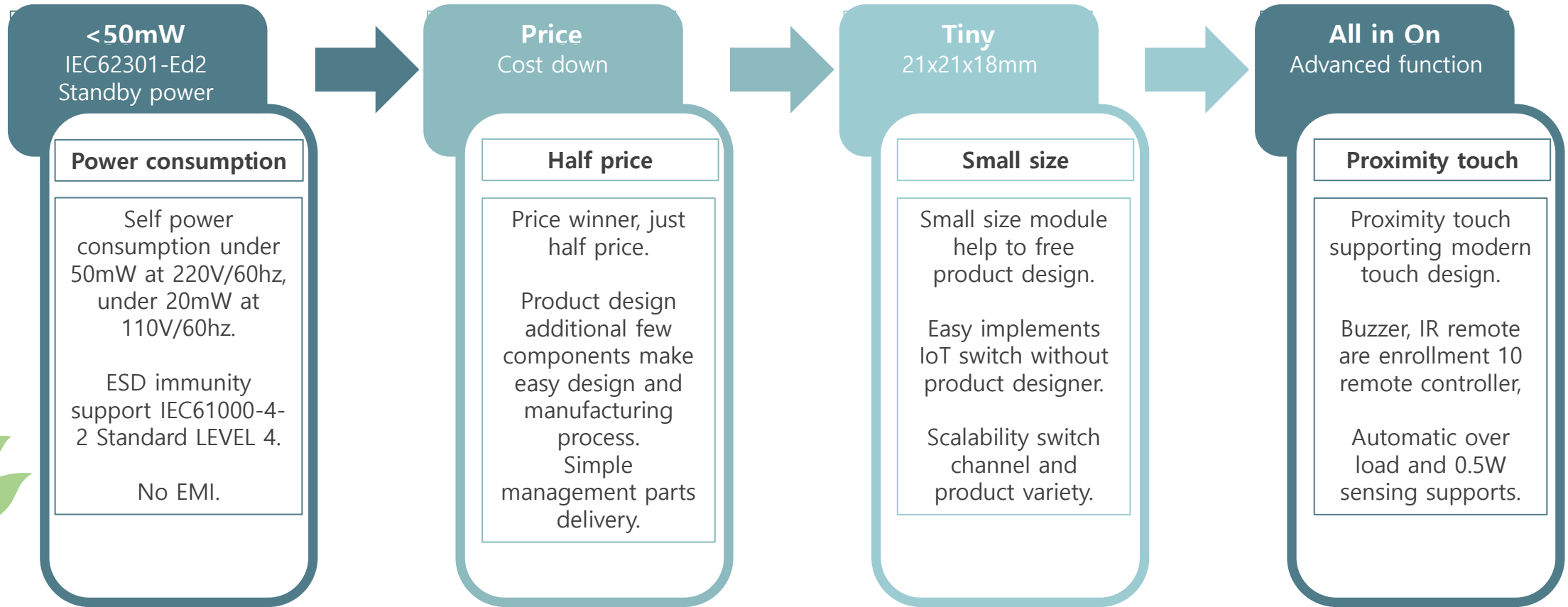
Recommend foot print

Caution

For AC input / output terminals 12 and 13, consider sufficient PCB pattern design according to the current capacity used. It must be designed to provide a sufficient voltage distance between the AC I / O terminal connection pin and the other signal line.



Strong Point



Business Style



Our novel electronics circuit technology are tensible benefit electric power control system.

We are provide business all kinds of AC power control and manufacturing technology.

Contact : info@standbyzero.org
<https://www.standbyzero.com>

Patent sales

Our patent and patented technology provide.

01



02



Sales module

We are accept all of kinds sales in the worlds.

03



ODM

You can simply order. Give us your requirements.



Market want sustainable Novel Technology

FIDES technology provides tangible benefits for
Reliability, Availability, Maintain free, and Durability



Measurement of standby power consumption in line with IEC62301 and EN50564 Data without tolerance limits is not binding | Subject to change © 2020 FIDES B302 Smart valley Songdo Incheon, Korea